

1, 2 or 3-way distributor pieces made of brass with a bare metal surface, pre-assembled with quick disconnect coupling DN 7.2.

Available with threaded connection inside or outside or nipple for adaptation into an existing quick disconnect coupling DN 7.2 to DN 7.8.



Operating pressure	0 - 35 bar
Medium and ambient temperature	-20 °C to 100 °C
Housing	Brass with a bare metal surface
Securing and sealing	Industrial adhesives, medium strength

Distributor with 2 quick disconnect couplings DN 7.2, brass with a bare metal surface, male

Type No.	Article No.	Connection	Comprising distributor	Couplings
245.31	107256	G 1/4 ET	255.01	243.02
245.32	107257	G 3/8 ET	255.01	243.02
245.33	107258	G 1/2 ET	255.02	243.03



245.33

Distributor with 2 quick disconnect couplings DN 7.2, brass with a bare metal surface, female

Type No.	Article No.	Connection	Comprising distributor	Couplings
245.36	107259	G 1/4 IT	255.01	243.02
245.37	107260	G 3/8 IT	255.01	243.02
245.38	107261	G 1/2 IT	255.02	243.03



245.38

Distributor with 2 quick disconnect couplings DN 7.2, brass with a bare metal surface, with push-in plug DN 7.2 - DN 7.8

Type No.	Article No.	Connection	Comprising distributor	Couplings
245.39	107262	plug DN 7.2 – 7.8 / G 3/8	255.01	243.02
245.40	107263	plug DN 7.2 – 7.8 / G 1/2	255.02	243.03



245.39

Distributor with 3 quick disconnect couplings DN 7.2, brass with a bare metal surface, male

Type No.	Article No.	Connection	Comprising distributor	Couplings
245.51	107264	G 1/4 ET	256.01	243.02
245.52	107265	G 3/8 ET	256.01	243.02
245.53	107266	G 1/2 ET	256.02	243.03



245.53

Distributor with 3 quick disconnect couplings DN 7.2, brass with a bare metal surface, female

Type No.	Article No.	Connection	Comprising distributor	Couplings
245.56	107267	G 1/4 IT	256.01	243.02
245.57	107268	G 3/8 IT	256.01	243.02
245.58	107269	G 1/2 IT	256.02	243.03



245.58

Distributor with 3 quick disconnect couplings DN 7.2, brass with a bare metal surface, with push-in plug DN 7.2 - DN 7.8

Type No.	Article No.	Connection	Comprising distributor	Couplings
245.59	107270	plug DN 7.2 – 7.8 / G 3/8	256.01	243.02
245.60	107271	plug DN 7.2 – 7.8 / G 1/2	256.02	243.03



245.60

Distributor for wall mountable with quick disconnect coupling DN 7.2, brass with a bare metal surface

Type No.	Article No.	Connection	Comprising distributor	Couplings
VT 1020-K	107272	G 1/2 IT	VT 1020	243.03



VT 1020-K

Wall plate with quick disconnect coupling DN 7.2, brass with a bare metal surface

Type No.	Article No.	Connection	Comprising distributor	Couplings
DW 266-K	107273	G 3/8 IT	DW 266	243.02
DW 267-K	107274	G 1/2 IT	DW 267	243.03



DW 267-K

→ Couplings and distributors are also available separately

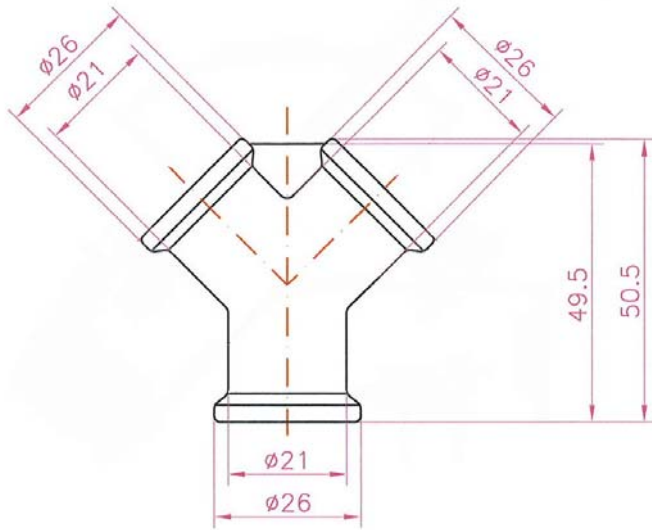
Technical details distributors

Brass CW617N

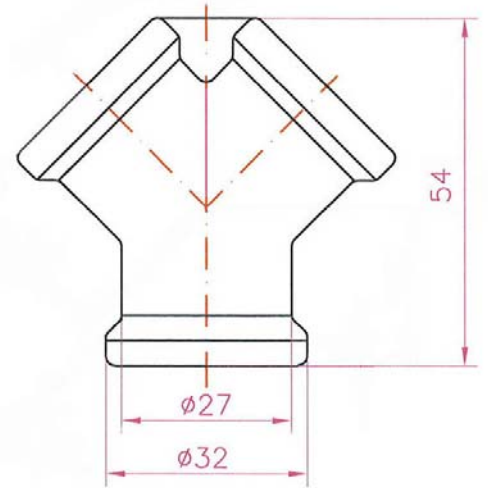
Surface glass bead blasted

G-thread acc. to DIN EN ISO 228-1

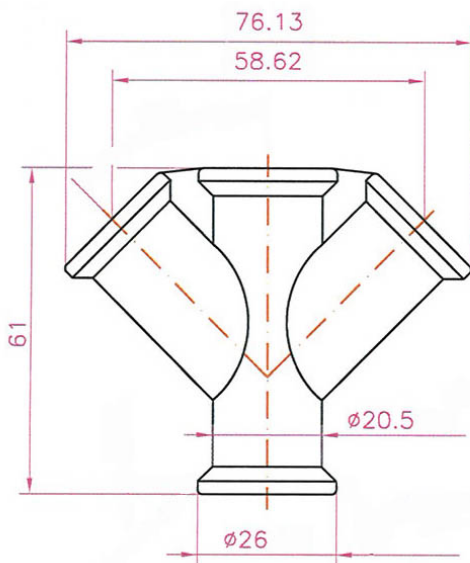
Technical details of quick disconnect coupling see on data sheet P 5-26



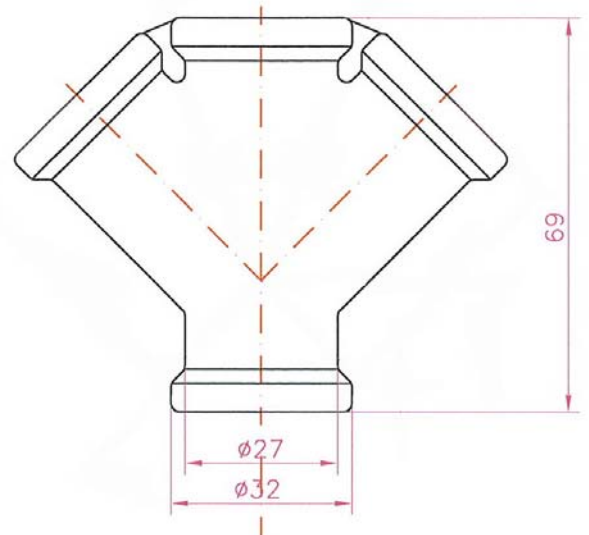
255.01 G 3/8 female



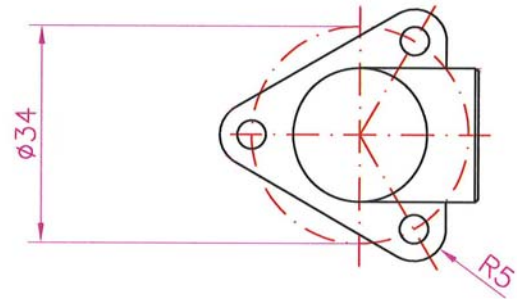
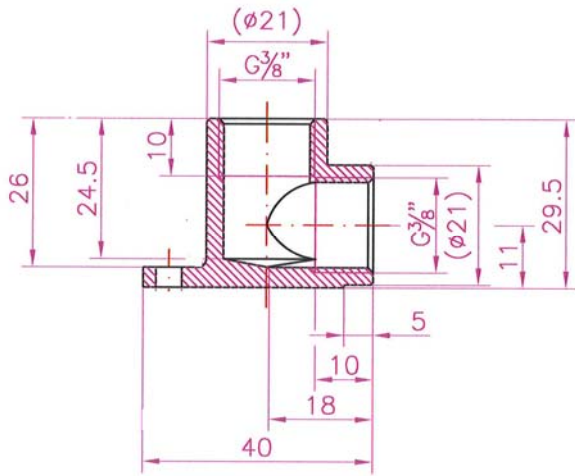
255.02 G 1/2 female



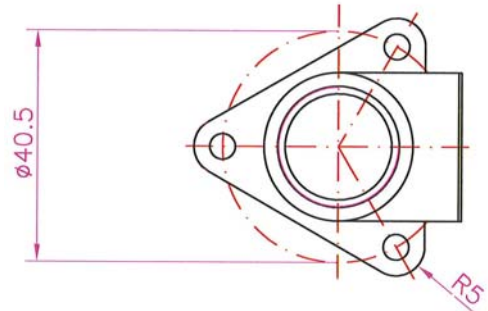
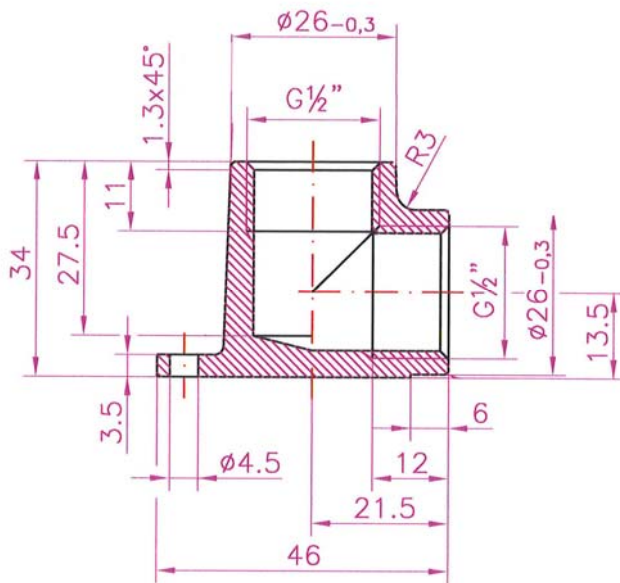
256.01 G 3/8 female



256.02 G 1/2 female



DW 266 G 3/8 female



DW 267 G 1/2 female

Installation location

The installation location of the quick-connect coupling must be selected so that the health of the person operating it cannot be harmed by sources of danger in the immediate surroundings, e.g. from slipping, jamming, contaminating or burning.

Low pressure applications

Threads for low-pressure applications are, if series-related no corresponding coatings or sealing rings are present, to be provided with suitable sealing materials, such as a PTFE belt or liquid sealing agent. Here the resistance to the flowing medium must be paid attention to.

Service manual

Quick-connect couplings are predominantly maintenance-free, if used in standard applications and handled carefully. The selection of the quick-connect coupling must be compatible with the intended purpose of use and material. Depending on the operating conditions it is recommended to provide the following points during maintenance:

External visual inspection with dirt in the functioning area of coupling and plug (seal area, control elements) these must be cleaned. The following distinguishing symptoms require replacement of the corresponding parts: Torn, damaged, heavily damaged or corroded parts, leaks on coupling and / or plug parts.

Function test under maximum Max. operating pressure can be used to test the quick-connect coupling for possible malfunctions and leaks. During the testing and operating phase it must be ensured that the operating personnel work protected.

Replacement intervals for quick-connect couplings must, if available, be adapted to the state or technical standards. However, also operating experiential values, which result from the required operational safety and the conditions of use, such as downtimes, coupling frequency, Max. operating pressure and properties of the medium, are critical for establishing the replacement intervals.

Pulsating tool

When using pulsating tools it is recommended to observe the standard ISO 6150, § 7.1. It recommends installing a minimum 300 mm long, flexible hose between the pulsating tool and the quick-connect coupling. The oscillating forces are taken by the hose piece and thus increase the service life of the quick-connect coupling. No warranty can be made for couplings mounted directly on pulsating tools.

Flow direction

The recommended flow direction is from the coupling to the plug if nothing else is specified in the technical data sheet.



Application with hoses

When using hoses the permissible Max. operating pressure and the working temperature must absolutely be observed and suitable hose connections must be seen to.